

## Vegetable Slicer Cutter Slicer - 5.5 QT - Variable Speed

ITEM # \_\_\_\_\_

MODEL # \_\_\_\_\_

NAME # \_\_\_\_\_

SIS # \_\_\_\_\_

AIA # \_\_\_\_\_



**600519 (K55YVVU)**

Vertical Cutter/Mixer, bench-style, variable speed (300-3700 RPM). Supplied with 5.8 quart removable stainless steel bowl with clear BPA-free lid, equipped with scraper. Microtooth blade rotor and metal motor housing 1-1/3HP

### Short Form Specification

**Item No.** \_\_\_\_\_

Vertical Cutter/Mixer, bench-style, variable speed (300-3700 RPM). Supplied with 5.8 quart removable stainless steel bowl with clear BPA-free lid, equipped with scraper. Microtooth blade rotor and metal motor housing, 1-1/3HP

**APPROVAL:** \_\_\_\_\_

### Main Features

- Emulsifier function (scraper) included as standard.
- All parts in contact with food are removable without the use of tools, completely dismountable and dishwasher safe.
- Pulse function to coarse chopping.
- Base fixed cover for a better handling.
- Delivered with:-5.8 qt stainless steel cutter bowl, transparent lid, scraper and microtoothed blade rotor.
- Capacity:-cutter mixer working capacity from 3.5 ounce (100 g) to 5.5 lbs (2.5 kg), for 50-100 meals per service.

### Construction

- All blades (available on request) are made in stainless steel and dishwasher safe.
- Power: TK55 - 1.3 HP.
- Stainless steel bowl has a high chimney to ensure high productivity also when processing liquids (75% of the nominal capacity).
- IPX5 (IP55) flat panel touch-control, watertight panel.
- Compact and portable design.
- Asynchronous industrial motor with no brushes for high reliability and quiet functioning, stainless steel motor shaft.
- Improved ventilation system to manage smoothly heavy duty use.
- Reinforced feet to withstand the repeated handling of the unit.
- Food processing at 10 variable speeds: 300-3700 rpm.

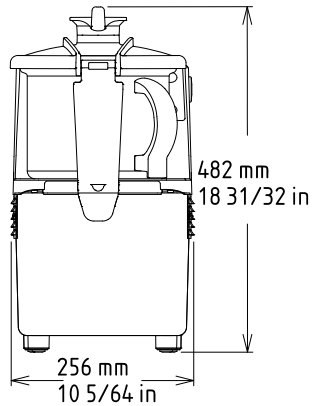
### Included Accessories

- 1 of Lid & bowl scraper, 5.8 quart, PNC 650102 for cutter/mixer
- 1 of Bowl, 5.8 quart, for cutter/ PNC 653590 mixer, stainless steel

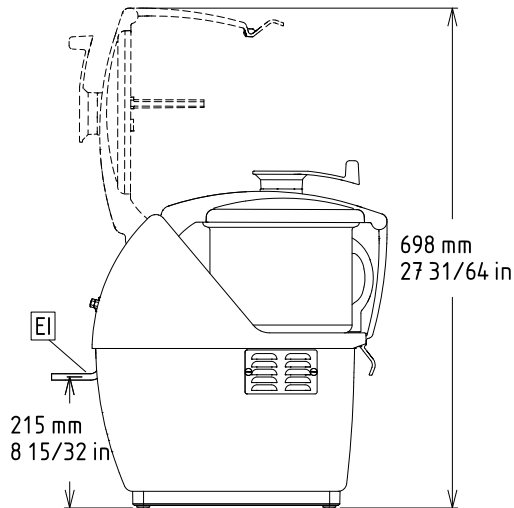
### Optional Accessories

- Lid & bowl scraper, 5.8 quart, for PNC 650102  cutter/mixer
- Bowl, 5.8 quart, for cutter/mixer, PNC 653590  stainless steel

Front

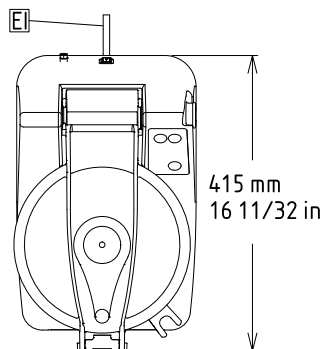


Side



EI = Electrical connection

Top


**Electric**

Supply voltage:	110-120 V/1N ph/60 Hz
Total Watts:	1.3 kW
Plug type:	USA NEMA 5-15P

**Key Information:**

External dimensions, Width:	10 1/16" (256 mm)
External dimensions, Depth:	16 5/16" (415 mm)
External dimensions, Height:	19" (482 mm)
Shipping width:	11 13/16" (300 mm)
Shipping depth:	23 5/8" (600 mm)
Shipping height:	21 5/8" (550 mm)
Shipping weight:	57 lbs (26 kg)